

| GRUPPE 2 Section | FÜR SCHLAUCH-GRÖSSE For Hose Size | | KLEMMFLANSCH-GRÖSSE Flange Size | ROHRREIHE*) Pipe Series *) | | | BETRIEBS-DRUCK Working- pressure | BESTELL- NUMMER Part Number |
|------------------------|---|-------|------------------------------------|-------------------------------|------|-------|--|--------------------------------------|
| | ID mm | OD mm | d1 mm | Series | Size | d2 mm | bar | Type |
| | | | | | | | | |



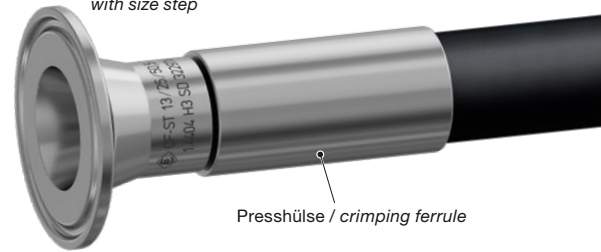
TECHNISCHE ÄNDERUNGEN VORBEHALTEN - NACHDRUCK UND KOPIEN NUR MIT UNSEREM EINVERSTÄNDNIS - Specifications subject to change without notice - Copyright ELAFLEX-HIBY

| | | | | | | | | |
|----------------|--------------|--------|--------------------|------------------|--------------------|------------------|--------------------|--------------------|
| 13 (1/2") | 22-25 | 25 | A | 8 | 8 | 25 | CFP 13-8-25 | |
| | | | B | 10,2 | 7 | 25 | CFP 13-10,2-25 | |
| | | | | 17,2 | 14 | 25 | CFP 13-17,2-25 | |
| | | C | 1/2" | 9,4 | 25 | CFP 13-1/2"-25 | | |
| | | | 3/4" | 15,75 | 25 | CFP 13-3/4"-25 | | |
| | | 34 | A | 10 | 10 | 25 | CFP 13-10-34 | |
| | 15 | | | 16 | 25 | CFP 13-15-34 | | |
| | 20 | | | 20 | 25 | CFP 13-20-34 | | |
| | 50,5 | | 25 | 26 | 25 | CFP 13-25-50,5 | | |
| | 16 (5/8") | 26-29 | 25 | B | 17,2 | 14 | 25 | CFP 16-17,2-25 |
| | | | | C | 1/2" | 9,4 | 25 | CFP 16-1/2"-25 |
| | | | 3/4" | 15,75 | 25 | CFP 16-3/4"-25 | | |
| 34 | | A | 15 | 16 | 25 | CFP 16-15-34 | | |
| 50,5 | | B | 26,9 | 23,7 | 25 | CFP 16-26,9-50,5 | | |
| | | C | 1" | 22,1 | 25 | CFP 16-1"-50,5 | | |
| 19 (3/4") | 30-33 | 25 | B | 17,2 | 14 | 25 | CFP 19-17,2-25 | |
| | | | C | 3/4" | 15,75 | 25 | CFP 19-3/4"-25 | |
| | | 34 | A | 15 | 16 | 25 | CFP 19-15-34 | |
| | | | | 20 | 20 | 25 | CFP 19-20-34 | |
| | | 50,5 | A | 20 | 20 | 25 | CFP 19-20-50,5 | |
| | | | | 25 | 26 | 25 | CFP 19-25-50,5 | |
| | B | | 40 | 38 | 25 | CFP 19-40-50,5 | | |
| | | | 21,3 | 18,1 | 25 | CFP 19-21,3-50,5 | | |
| | 26,9 | 23,7 | 25 | CFP 19-26,9-50,5 | | | | |
| | C | 1" | 22,1 | 25 | CFP 19-1"-50,5 | | | |
| | | 1 1/2" | 34,8 | 25 | CFP 19-1 1/2"-50,5 | | | |
| | 25 (1") | 36-39 | 50,5 | A | 25 | 26 | 25 | CFP 25-25-50,5 |
| 32 | | | | | 32 | 25 | CFP 25-32-50,5 | |
| B | | | | 21,3 | 18,1 | 25 | CFP 25-21,3-50,5 | |
| | | | | 26,9 | 23,7 | 25 | CFP 25-26,9-50,5 | |
| C | | | | 33,7 | 29,7 | 25 | CFP 25-33,7-50,5 | |
| | | | | 1" | 22,1 | 25 | CFP 25-1"-50,5 | |
| 1 1/2" | 34,8 | 25 | CFP 25-1 1/2"-50,5 | | | | | |
| 32 (1 1/4") | 43-46 | 50,5 | A | 32 | 32 | 25 | CFP 32-32-50,5 | |
| | | | B | 33,7 | 29,7 | 25 | CFP 32-33,7-50,5 | |
| | | | C | 42,4 | 38,4 | 25 | CFP 32-42,4-50,5 | |
| | 64 | B | 42,4 | 38,4 | 25 | CFP 32-42,4-64 | | |
| | | | C | 1 1/2" | 34,8 | 25 | CFP 32-1 1/2"-50,5 | |
| | | | | 2" | 47,5 | 16 | CFP 32-2"-64 | |
| 38 (1 1/2") | 50-53 | 50,5 | A | 40 | 38 | 25 | CFP 38-40-50,5 | |
| | | | C | 1 1/2" | 34,8 | 25 | CFP 38-1 1/2"-50,5 | |
| | | 64 | A | 50 | 50 | 16 | CFP 38-50-64 | |
| | B | | | 42,4 | 38,4 | 25 | CFP 38-42,4-64 | |
| | 48,3 | | 44,3 | 16 | CFP 38-48,3-64 | | | |
| | 50 (2") | 63-67 | 64 | A | 50 | 50 | 16 | CFP 50-50-64 |
| B | | | | 48,3 | 44,3 | 16 | CFP 50-48,3-64 | |
| C | | | | 2" | 47,5 | 16 | CFP 50-2"-64 | |
| 77,5 | | B | 60,3 | 56,3 | 16 | CFP 50-60,3-77,5 | | |
| | | | A | 65 | 66 | 16 | CFP 50-65-91 | |
| | | | | C | 2 1/2" | 60,2 | 16 | CFP 63-2 1/2"-77,5 |
| 63 (2 1/2") | 78-82 | 91 | A | 65 | 66 | 16 | CFP 63-65-91 | |
| | | A | 80 | 81 | 10 | CFP 63-80-106 | | |
| | | | B | 76,1 | 72,1 | 16 | CFP 75-76,1-91 | |
| 75 (3") | 89-94 | 91 | C | 3" | 72,9 | 16 | CFP 75-3"-91 | |
| | | | A | 80 | 81 | 10 | CFP 75-80-106 | |
| 100 | 114-119 | 119 | | A | 100 | 100 | 10 | CFP 100-100-119 |

Klemm-Schlauchkupplung 'Tri Clamp' nach DIN 32676 aus Edelstahl, mit Presshülsen-Sicherheitseinband aus Edelstahl. Einsatz für Lebensmittel, Chemie, Kosmetik und Pharmazie.

Clamp hose coupling 'Tri Clamp' to DIN 32676 of stainless steel, with ferrules of stainless steel. Application for food, chemical, cosmetic and pharmaceutical industries.

mit Größensprung
with size step



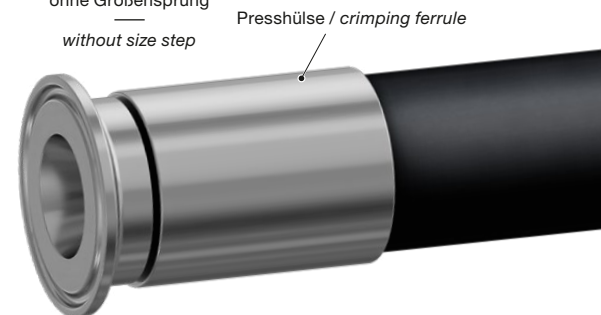
Presshülse / crimping ferrule

Schlauchstutzen mit symmetrischer Klemmverbindung aus Edelstahl 1.4404. Hygieneklasse H3 nach EN ISO 4288.

Type CFP

Hose Tails with symmetric clamp connections of stainless steel 1.4404. Hygiene class H3 to EN ISO 4288.

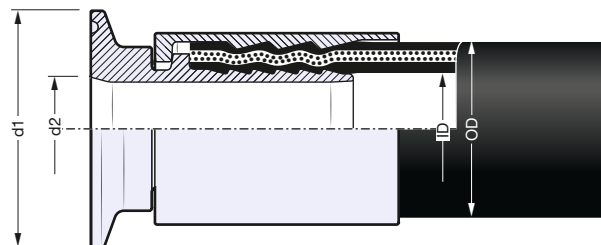
ohne Größensprung
without size step



Presshülse / crimping ferrule

Presshülsen aus Edelstahl 1.4301 / 1.4307. Auch verfügbar mit SPANNLOC oder SPANNFIX.

Ferrules of stainless steel 1.4301 / 1.4307. Also available with SPANNLOC or SPANNFIX.



| *) Rohrmaße nach / Pipe measure to DIN 11866 | |
|--|----------------------|
| Rohrreihe / Pipe series | nach / to |
| A | EN 10357 (DIN 11850) |
| B | EN ISO 1127 |
| C | ASME-BPE 2009 |

Weitere Sprunggrößen, Werkstoffe, Hygieneklassen sowie Elektro-politur auf Anfrage.

Other size steps, materials, hygiene classes and electro-polishing on request.

Sonderausführungen umseitig

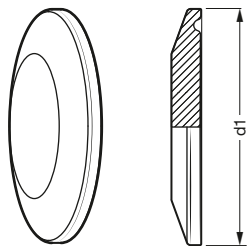
Special types overleaf

Klemm-Schlauchkupplung 'Tri Clamp'

Clamp Hose Coupling 'Tri Clamp'

1

Type CFB



Blindkappe 'CFB' aus Edelstahl für Klemm-Schlauchkupplungen. Lieferbar in den Größen d1 25–119mm.

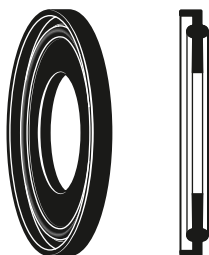
Bestellnummer: CFB...

Blind cap 'CFB' of stainless steel for clamp hose couplings. Available in sizes d1 25–119mm.

Part Number: CFB...

2

Type CFD



Kupplungsdichtungen 'CFD' für Klemm-Schlauchkupplungen aus FDA-konformen Werkstoffen (z. B. EPDM). Lieferbar für die Rohrreihen in den Größen DN 13–100, ISO 10,2–76,1, ½"–3".

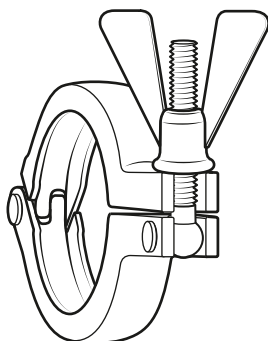
Bestellnummer: CFD ...

Coupling seal 'CFD' for Clamp hose couplings of FDA-conform materials (e. g. EPDM). Available for pipe series in sizes DN 13–100, ISO 10,2–76,1, ½"–3".

Part Number: CFD...

3

Type CFK



Flanschklammer 'CFK' aus Edelstahl für Klemm-Schlauchkupplungen. Lieferbar für die Größen d1 25–119mm.

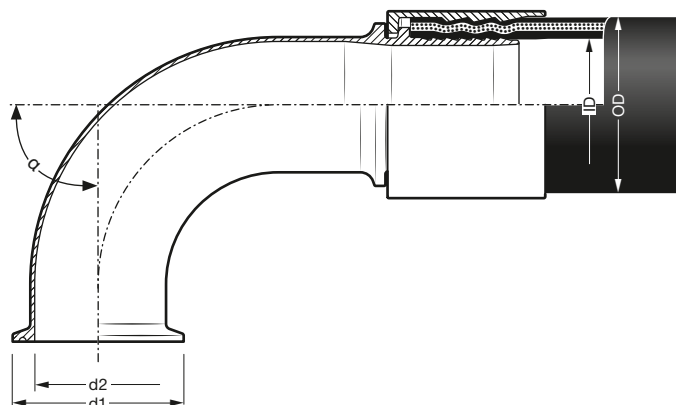
Bestellnummer: CFK ...

Clamp connector 'CFK' of stainless steel for clamp hose couplings. Available for sizes d1 25–119mm.

Part Number: CFK...

4

Type CFP ... -90°



Sonderausführung mit Bogen, bei Bestellung gewünschte Abwinkelung α angeben.

Bestellnummer: ... -90° / ... -45° / ... - α °

Special design with elbow, in case of order please notify us angle α .

Part Number: ... -90° / ... -45° / ... - α °